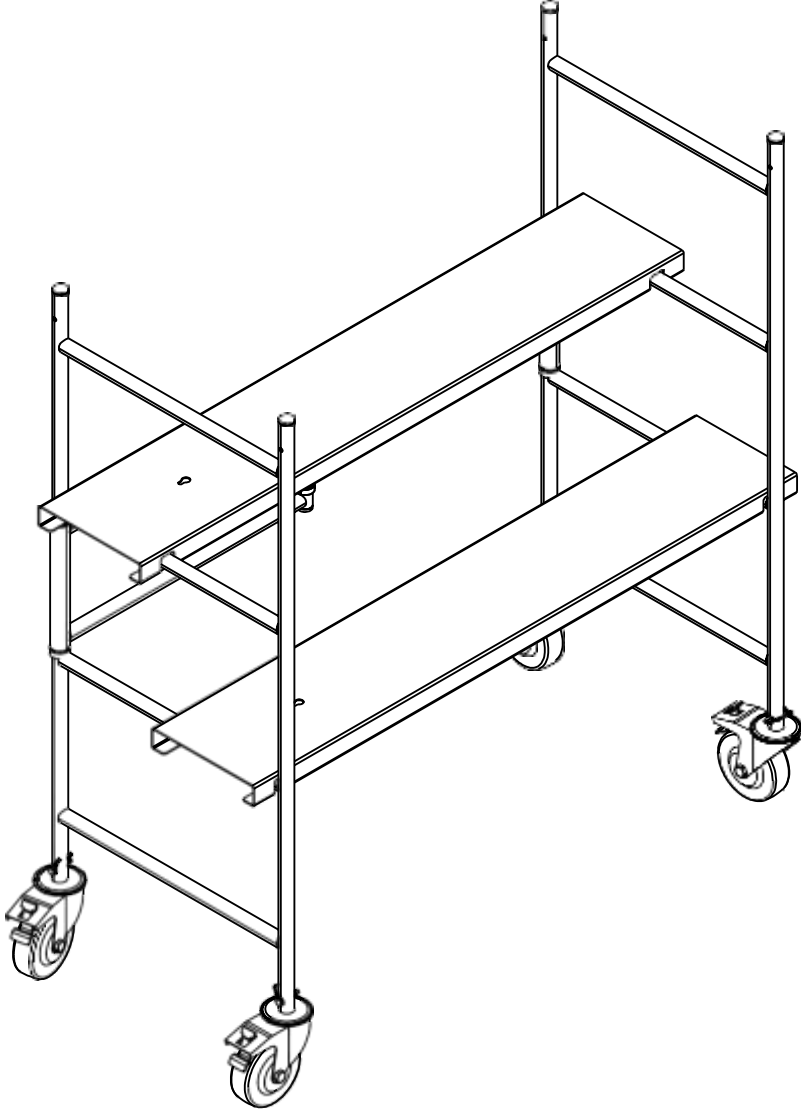
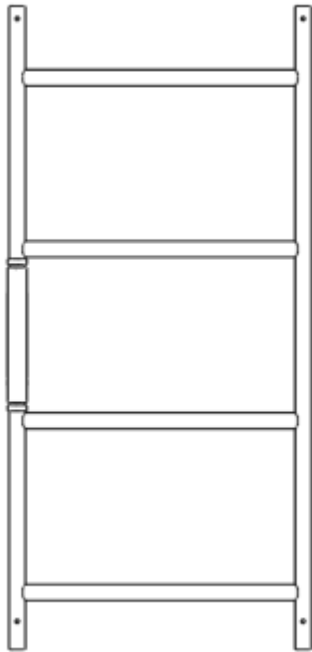


MINI-FRAME 4'

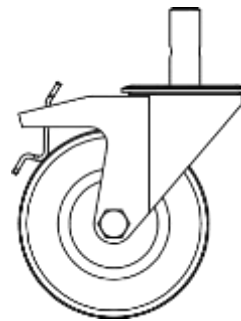


BOX COMPONENTS

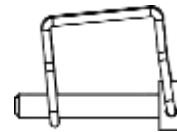
ID	PART CODE	DESCRIPTION	QTY.
A	FR03X	FRAME STRUCTURE	1
B	CAS4X	CASTERS	4
C	PIN03	LOCKING PIN	4
D	PPR3	ANTI-SLIP PLATFORM	2



A



B



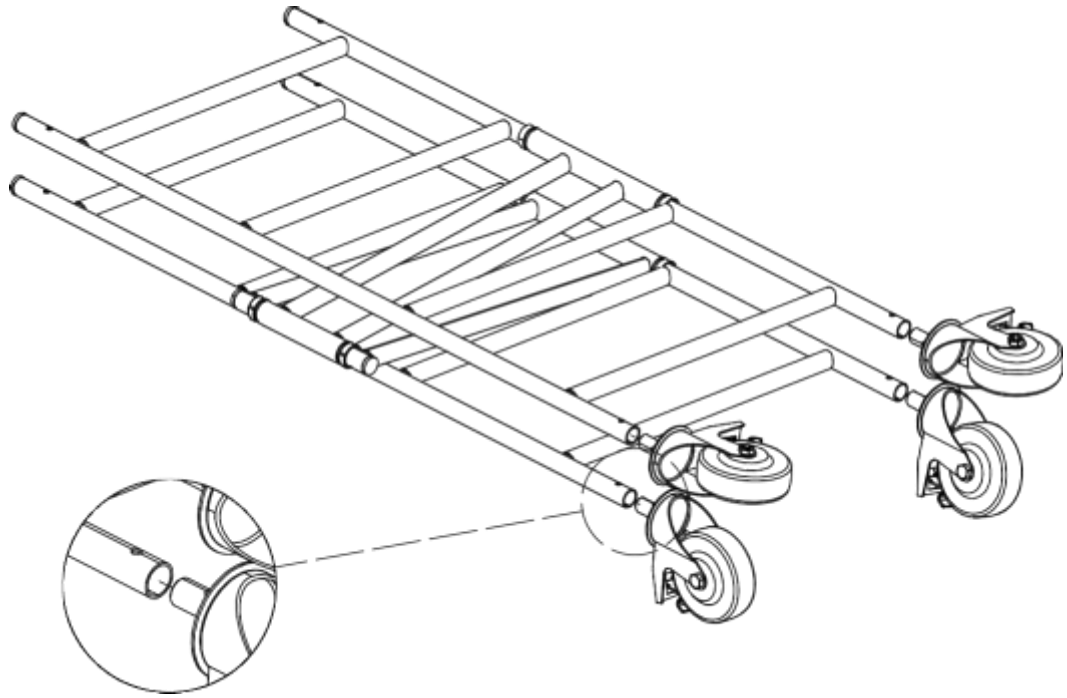
C



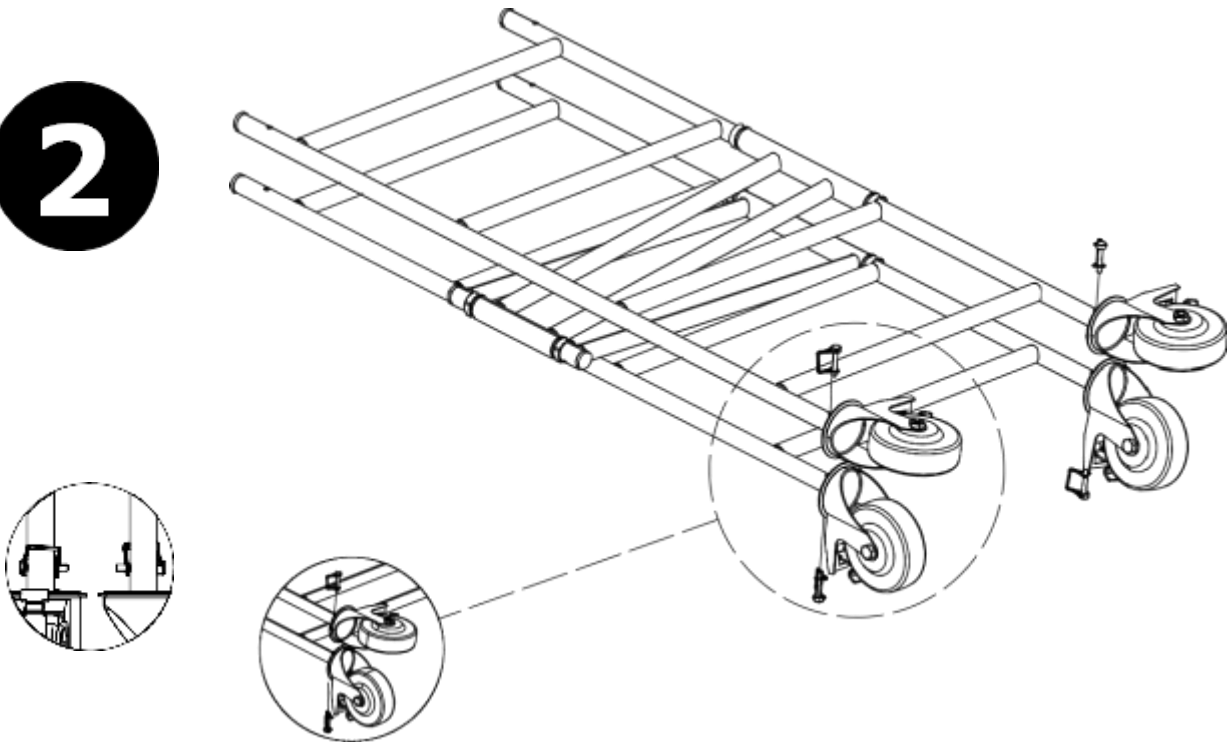
D

ASSEMBLY INSTRUCTIONS

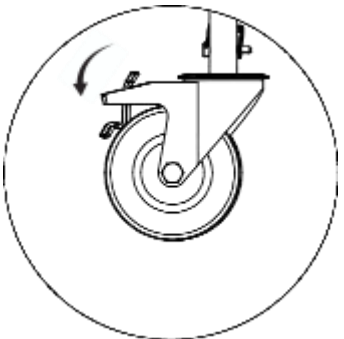
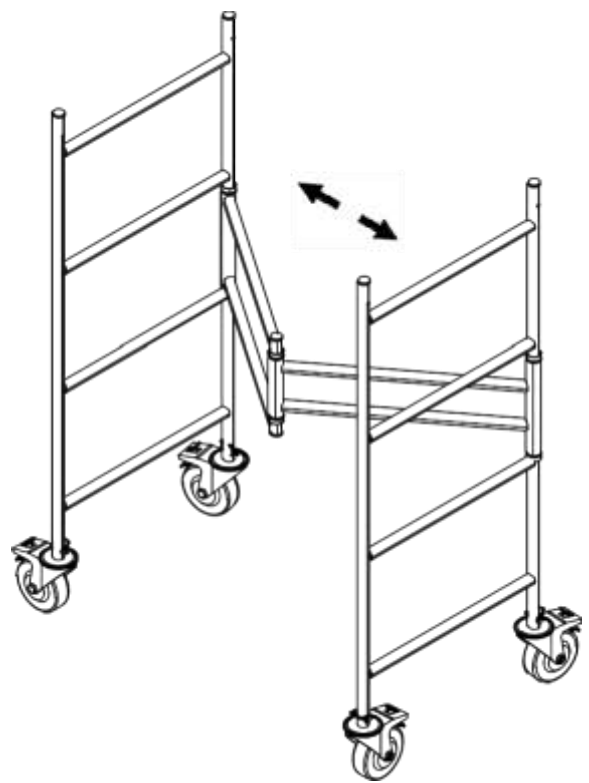
1



2



3



LOCK THE CASTER

4

